

SYSTEM AND METHOD FOR ALARMING AN INCOMING MESSAGE OF  
A MOBILE COMMUNICAITON TERMINAL,  
LEE, ATTORNEY DOCKET NO. 0001580USU

FIG. 1

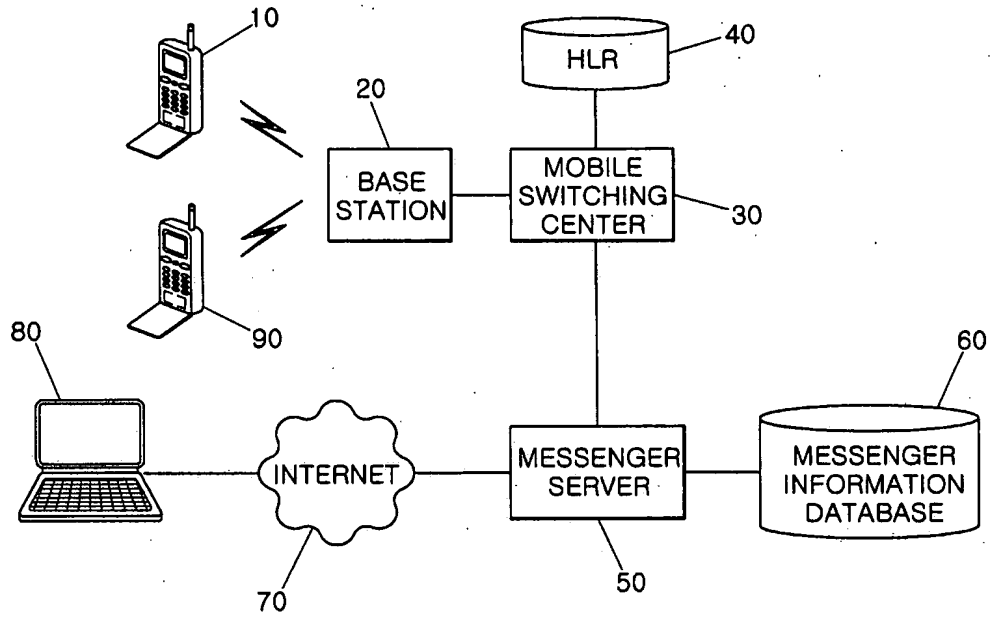


FIG. 2

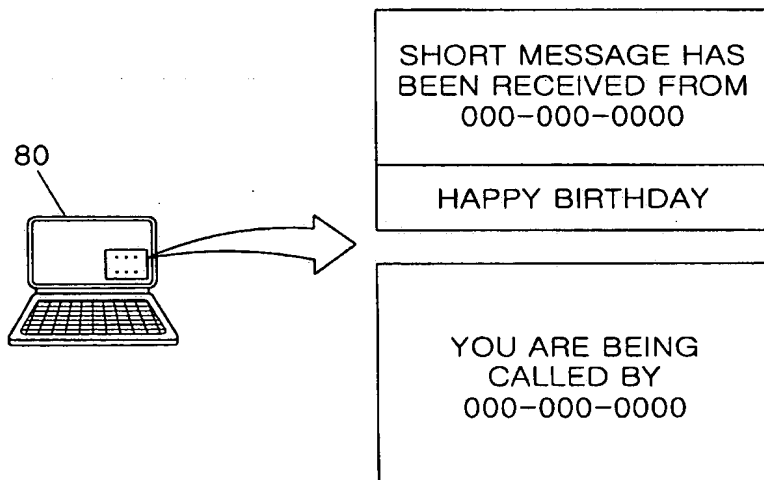


FIG. 3

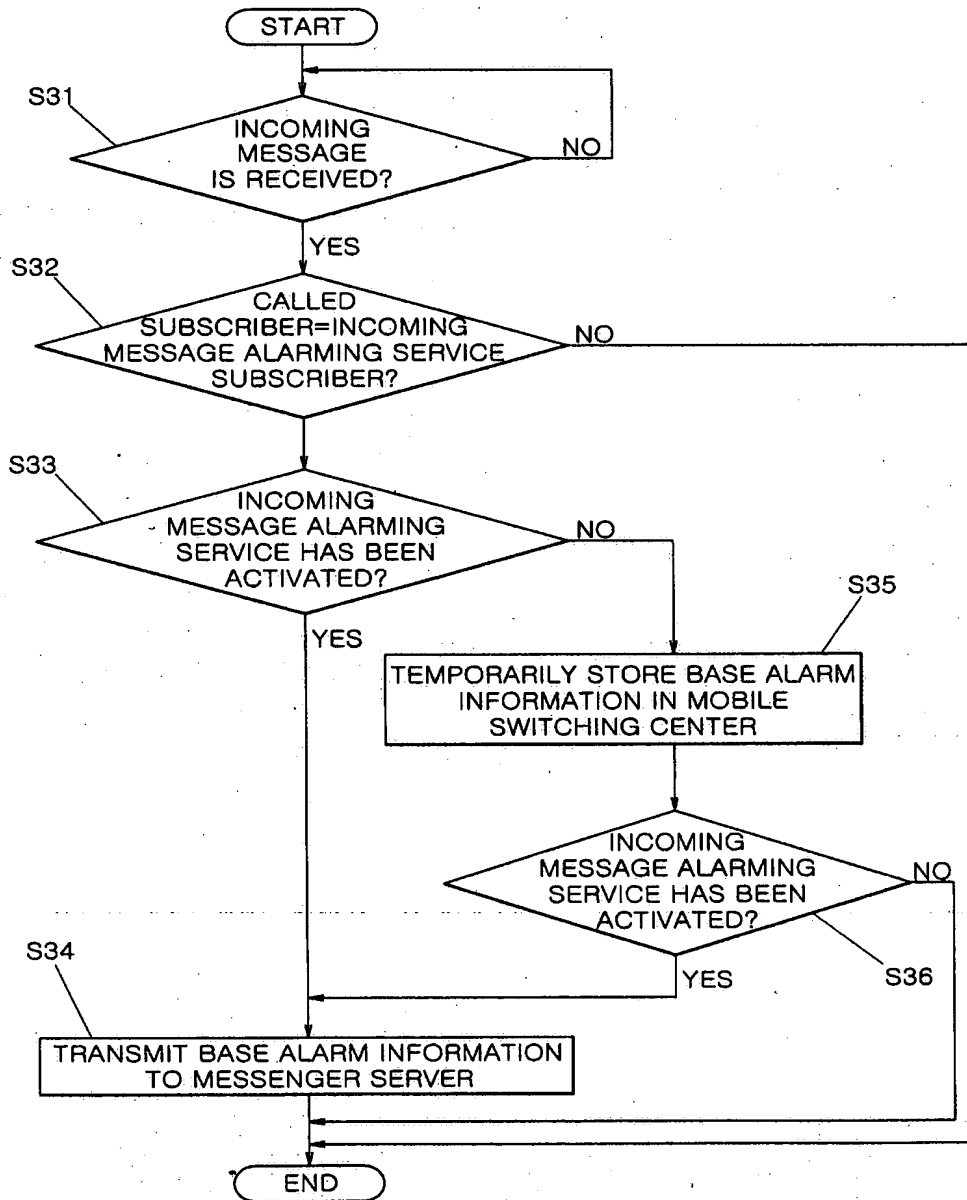


FIG. 4

